

GENERAL DESCRIPTION

Door, frame and ironmongery in a single piece.
Product suitable for interiors, with 32dB acoustic insulation.

ACCREDITATION

Acoustic insulation test as per BS EN ISO 10140.
Acoustic rating as per ISO 717-1.

DOOR

Rails and stiles in softwood vertical edge banded.
Solid core in particle board, features according to EN 13986.
Facing in MDF, features according to standard EN 13986.
35 mm thick.
Available in the models of the Essential, Exclusive and Classic ranges.

FRAME

Jamb in plywood or MDF, features according to EN 13986.
Fixed and adjustable architrave in plywood or MDF.
Compression seal

FINISHES

Naturdor® - real wood veneer or stained.
Dekodor® 3D - embossed finish, vertical and horizontal design.
Dekodor® HD - hard wearing laminate.
Dekodor® SD - decorative foil.
Lacdor - Lacquered finish with approximate RAL colour.

IRONMONGERY

Key lock.
3" stainless steel lift of hinge
Automatic drop seal.

IRONMONGERY & OPTIONS

719W or 719Y lock.
Magnetic lock.



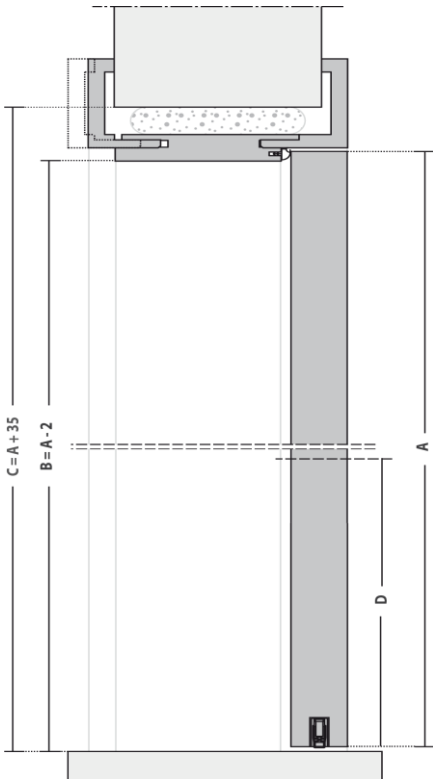
ACOUSTIC



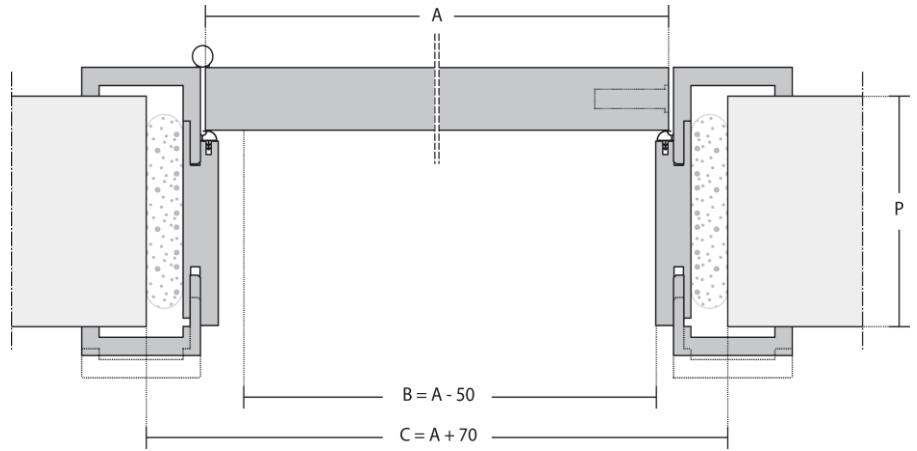
RW32dB

Automatic drop seal

VERTICAL CUT



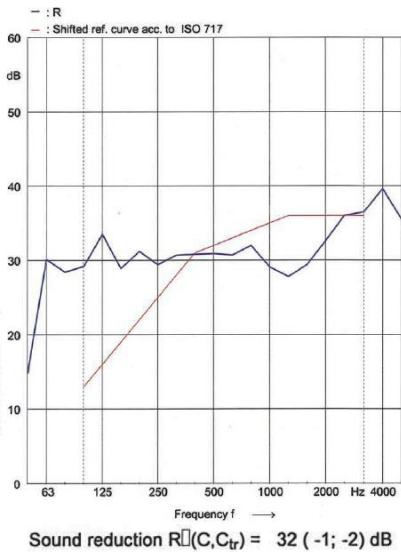
HORIZONTAL CUT



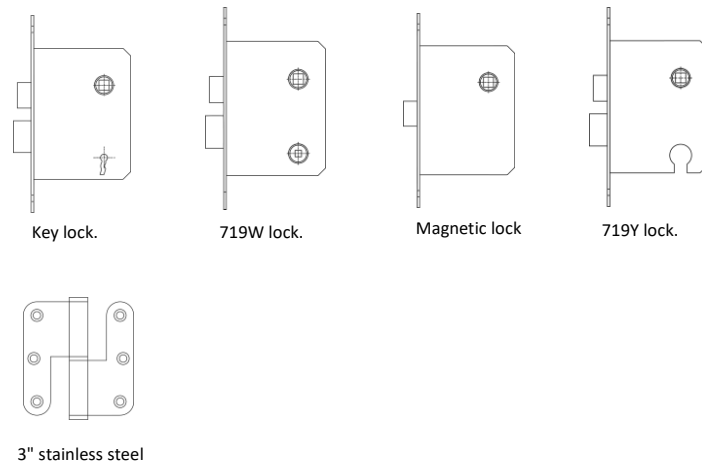
KEY

- A - Door width / height
- B - Effective clear width / height
- C - Structural opening
- D - Handle height
- P - Wall thickness

D - HANDLE HEIGHT (mm)	DOOR THICKNESS (mm)	P - WALL THICKNESS / FRAME ADJUSTMENT	
		< 100	≥ 100
1000	35	[± 0]	[-5 + 10]
1050			



IRONMONGERY AND OPTIONS



CONFIGURATIONS



Single leaf

Notes: Depending on product features or configurations, dimensions will vary. As we are constantly improving our product range, we reserve the right to make changes without prior notice.