

PORTARO® FD30 DOUBLE ACTION

TECHNICAL SHEET

vicaima
UNEXPECTED HARMONY

GENERAL DESCRIPTION

Door, frame and floor concealed door closer with double action door opening, with 30 min fire resistance rating and self-closing. Adequate for applications in corridors or where the door is normally kept open by hold-open magnets.

Single or double door, overpanel and glazing options.

ACCREDITATION

Fire certification as per BS 476 Part 22.

FD30 rating as per BS 476 Part 22.

DOOR

Rails and stiles in softwood, vertical edge banded.

Solid core in particle board, characteristics as per EN 13986.

Facing in MDF, features as per standard EN 13986.

4mm thick.

Available in models from the Essential range.

FRAME

Jamb in solid wood 37mm thick, extension in high density plywood or MR MDF.

Architraves in high density plywood or MR MDF, features according to EN 13986.

Removable architraves.

Fire and smoke seals 15x4mm.

FINISHES

Naturdor® - real wood veneer or stained.

Dekordor® 3D - embossed finish, vertical and horizontal design.

Dekordor® HD - hard wearing laminate.

Dekordor® SD - decorative foil.

Lacdor - Lacquered finish with approximate RAL colour.

IRONMONGERY

Floorspring CE marked.

Pivot.

OPTIONS

Double leaf with square meeting stiles.

Overpanels.

Factory glazed

Transfer grills.



FD30

FIRE



ANTI SMOKE

ANTI SMOKE SEAL

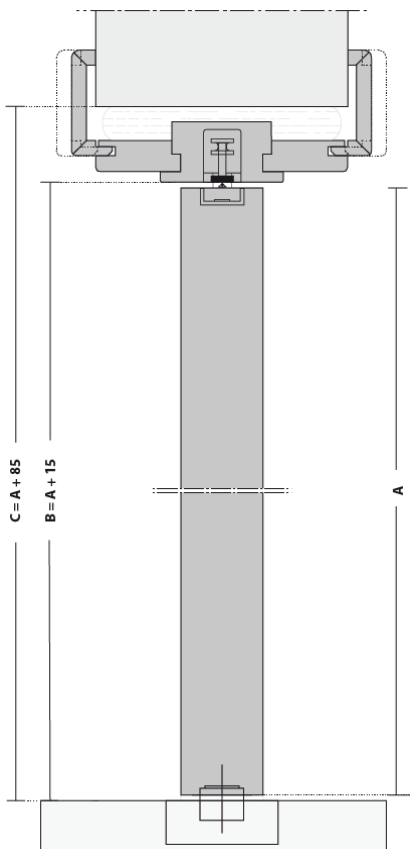


Notes: Depending on product features or configurations, dimensions will vary. As we are constantly improving our product range, we reserve the right to make changes without prior notice.

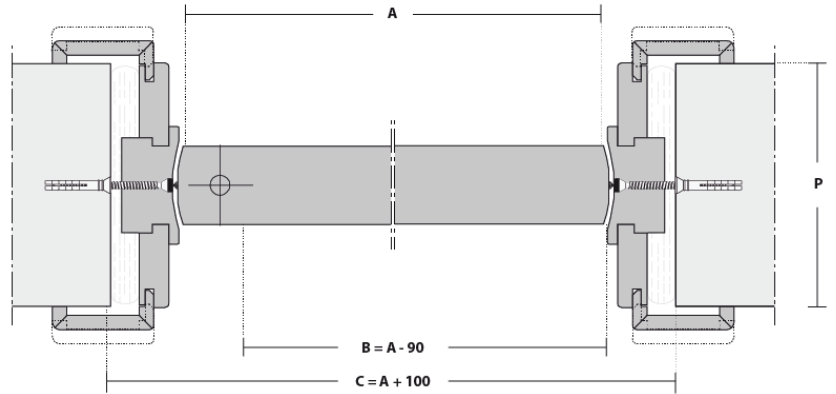
PORTARO® FD30 DOUBLE ACTION

TECHNICAL SHEET

VERTICAL CUT



HORIZONTAL CUT

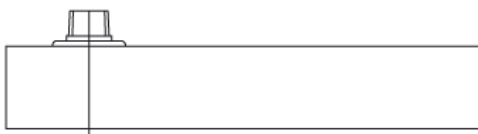
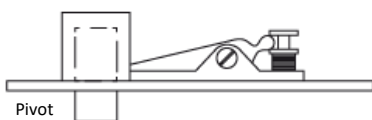


KEY

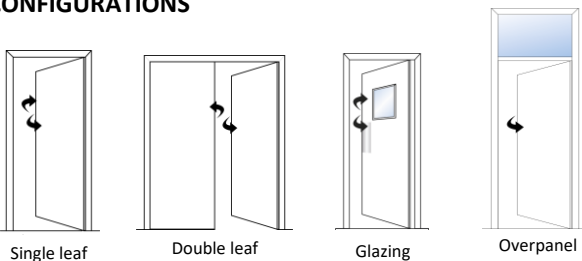
- A – Door width / height
- B – Effective clear width / height
- C – Structural opening
- P – Wall thickness

DOOR THICKNESS (mm)	P - WALL THICKNESS / FRAME ADJUSTMENT (mm)
44	≥ 90
	[±0]

IRONMONGERY



CONFIGURATIONS



Notes: Depending on product features or configurations, dimensions will vary. As we are constantly improving our product range, we reserve the right to make changes without prior notice.