

## GENERAL DESCRIPTION

Door and frame suitable to integrate sliding systems inside the wall. Oversized doors and frames available to create contemporary and architectural spaces

## DOOR

Rails and stiles in softwood or engineered timber, vertical edge banded  
Hollow core or solid core  
Facing in MDF, features according to standard EN 13986  
Overall 35 and 40mm thick

## FRAME

Frame in plywood or MDF, jamb with 20mm thick  
Optional in MDF with 20mm thick, available for wall thickness  $\geq 130$ mm  
Adjustable architraves  
Compression seal  
Head frame with black brush seal  
Jamb with black or white brush seal

## FINISHES

Naturdor® - real wood veneer or stained  
Dekordor® 3D - embossed finish, vertical and horizontal design  
Dekordor® HD - hard wearing laminate  
Dekordor® SD - decorative foil  
Lacdor - Lacquered finish with approximate RAL colour

## OTHERS

Bottom door guide

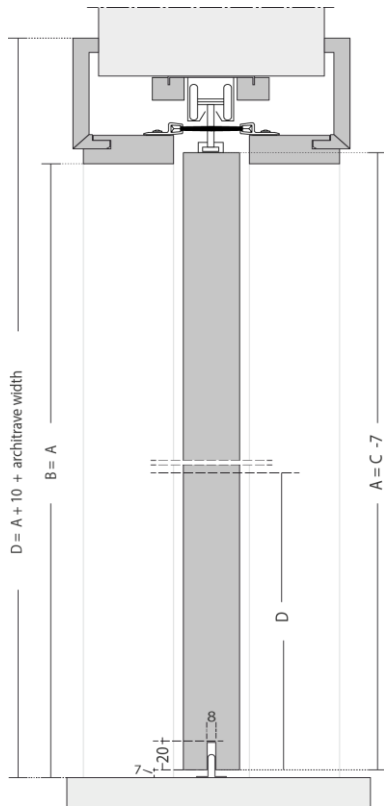
## OPTIONS

Lipping handle  
Door handle  
Latch with thumb-turn  
Euro sash lock

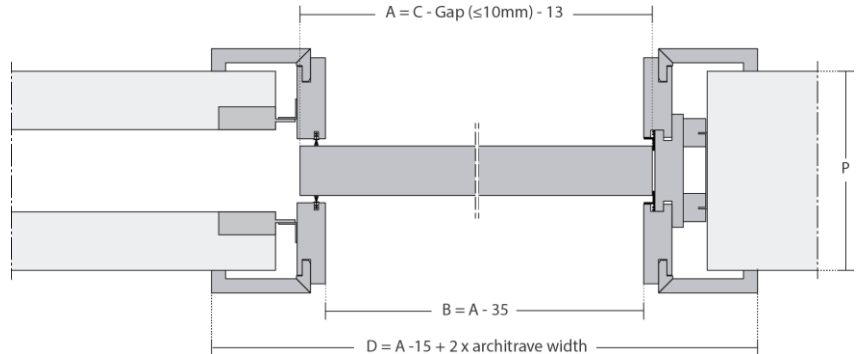


Notes: Depending on product features or configurations, dimensions will vary. As we are constantly improving our product range, we reserve the right to make changes without prior notice. The guarantee certificate is an integral part of the technical data sheet, available at [www.vicaima.com](http://www.vicaima.com).

## VERTICAL CUT



## HORIZONTAL CUT



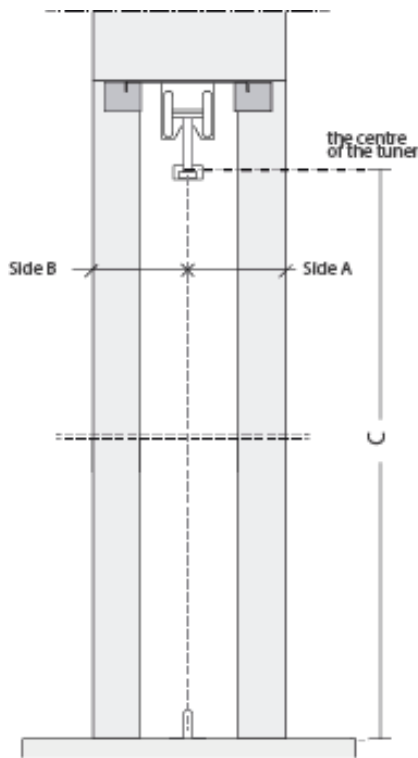
**Note:** maximum gap 10mm

### KEY

- A - Door width / height
- B - Effective clear
- C - Structural opening
- D - Handle center height
- P - Wall thickness

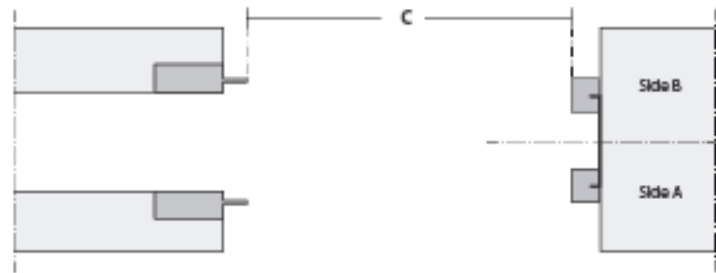
D - HANDLE HEIGHT (mm)	DOOR THICKNESS (mm)	P - WALL THICKNESS / FRAME ADJUSTMENT (mm)
1000	35/40/44	≥ 150
1050		[ - 10 + 15 ]

## RULE FOR HEIGHT DIMENSION CALCULATION



## RULE FOR WIDTH DIMENSION CALCULATION

**C - consider in this dimension the gap desired, 10mm per band maximum**



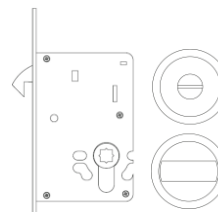
## OPTIONS



Lipping handle



Door handle



Latch with thumb-turn



Euro sash lock.

Notes: Depending on product features or configurations, dimensions will vary. As we are constantly improving our product range, we reserve the right to make changes without prior notice. The guarantee certificate is an integral part of the technical data sheet, available at [www.vicaima.com](http://www.vicaima.com).